

Technolight LED Snap Frame Light Panels are low profile: Only 1" thick

Technolight LED Snap Frame Light Panels are designed with the latest in LED technology and distribute an even and brilliant white light.

Technolight LED Snap Frame Light Panels are low power consumption and run for hours on optional battery pack.

Technolight LED Snap Frame Light Panels include your choice of Black or Silver Snap Frame for easy graphic installation.

SPECIFICATIONS:

Thickness:

Frameless panels: only 0.25" Thick
With Frame: 1" Thick

Sizes:

18" X 24"
24" X 36"
Sample with Graphic Size 6" X 4"

Input Power:

12 VDC (AC adapter included)
On/Off/Dimmer Switch Included

Wattage:

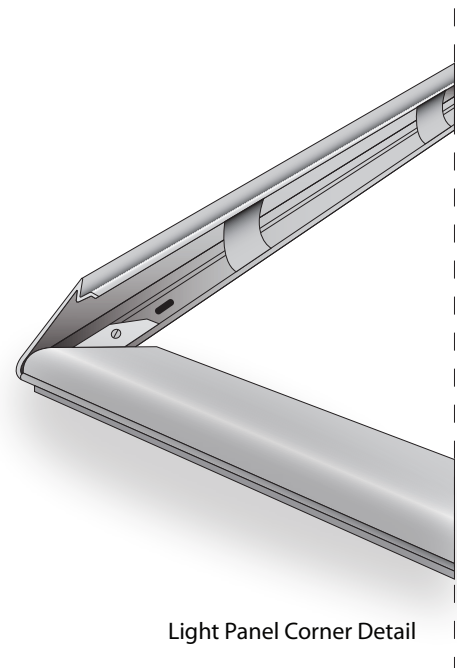
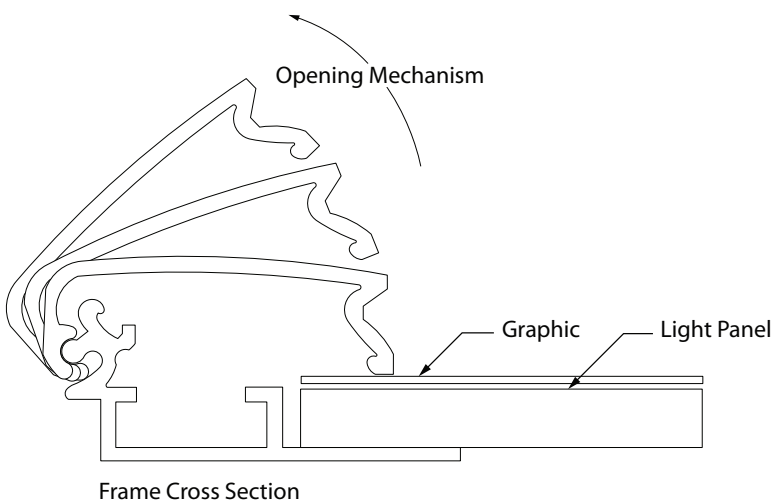
4.3 W/Ft -12V/24V Standard Power
LEDS:
LED CRT – 2400k – 6500K

Mounting:

Slots in Snap Frame channels for screw or hook installation

Frame Color:

Choice of Black or Silver



Custom Options:

Custom sizes, shapes and frameless options available. Need help with your Graphic? Technolight offers the latest in digitally printed transparent graphics to enhance the richness and depth of your image. Contact www.technolight.com for help on your next project